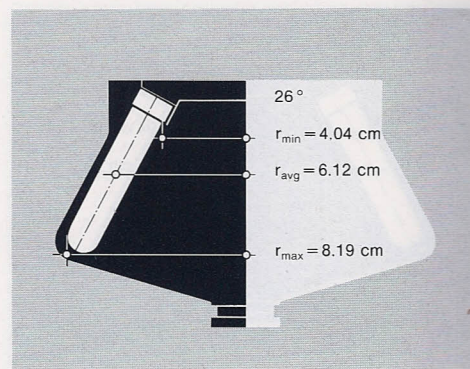


**No. 65-90124**

- Consists of:  
 79-049991 Rotor  
 79-049992 Rotor lid  
 65-90086 O-ring rotor lid (5)  
 79-049993 Rotor handle  
 65-90085 O-ring rotor handle (5)  
 90-00076 Overspeed disc (5)  
 90-00021 Tegmol lubricant  
 90-00020 Vacuum grease  
 95-00018 Rotor manual  
 65-90070 Rotor stand  
 65-90105 Carrying rod



Max. rpm	RCF			k-Factor	Tubes		Total capacity ml	Max. density g/ml	Rotor material
	r <sub>max</sub>	r <sub>avg</sub>	r <sub>min</sub>		Volume	Size			
50000	228900	170900	112900	72	8 × 13.5 ml	$\frac{5}{8}$ × 3" 16 × 76 mm	108	4.0	Titanium

**Tubes**

**Caps**

Material	No. (pack of 50)	Cap required	recommended max. speed				Tools required		
			ml	max. filled with cap	ml	partially filled without cap <sup>2</sup>			
Polyallomer thinwall	91-90202	96-00153 <sup>1</sup> 96-00103 96-00132	11	50000	50000	7	—	—	1
				50000	50000		—	—	1; 2; 4; 5
Polyallomer thickwall	91-90203	96-00104	8.5	50000	50000	7	50000	40000	1; 2; 4; 5
				50000	50000		45000	35000	
Cellulose thinwall LT	91-90204	96-00103 96-00132	11	50000	not recommended	7	—	—	1; 2; 4; 5
				50000	not recommended		—	—	
Cellulose thinwall HT	91-90404	96-00103 96-00132	11	not recommended	50000	7	—	—	1; 2; 4; 5
				not recommended	50000		—	—	
Cellulose thickwall	91-90246	96-00104	8.5	50000	40000	7	40000	40000	1; 2; 4; 5
				40000	35000		40000	35000	
Cellulose threaded	91-90272	96-00129	9.5	40000	40000	7	40000	35000	1; 3
				35000	35000		35000	30000	
Polycarbonat thickwall	91-90205	96-00104	8.5	50000	40000	7	50000	50000	1; 2; 4; 5
				45000	40000		50000	50000	
Polycarbonat threaded	91-90235	96-00129	9.5	50000	40000	7	50000	50000	1; 3
				40000	50000		40000	50000	
<sup>1</sup> selfseal							4°C/30'	25°C/30'	
<sup>2</sup> Use threaded tubes only with cap							4°C/24 h	25°C/24 h	

**Adapters**

No.	Tubes per adapter	recommended max. speed
91-90056	1 × 6.5 ml	50000
91-90058	1 × 4.4 ml	50000
91-90068	1 × 2.0 ml	50000
91-90069	1 × 0.4 ml	50000
91-90054	2 × 0.3 ml	40000

**Tools**

1	92-00108	Tube removal tool
2	40-00047	Wrench
3	91-00286	Universal grip tool for screw caps
4	91-00410	Tube cap vise
5	91-00412	Insert $\frac{5}{8}$ "
6	92-00115	Adapter extractor for tubes of 2 ml and smaller
7	92-00114	Adapter extractor for tubes of 2 ml and larger

**Accessories**

91-90237	Tube block rack (polypropylene)
91-00142	Piercing unit
73-00117	Tube stand for $\frac{5}{8}$ " o.d. tubes
91-00492	Base plate for 8 tubes
91-90350	Side piercer for $\frac{5}{8}$ " o.d. tubes
91-90349	Base plate for side piercer
91-90152	Rotor cleaning set