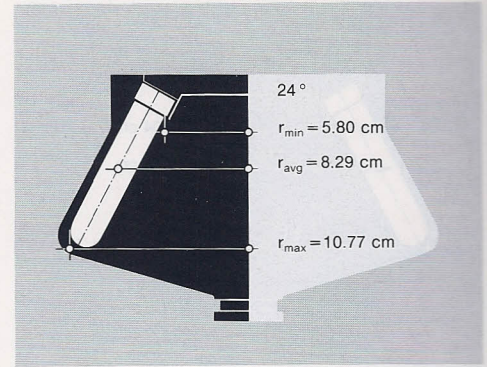


### No. 65-90028

- Consists of:
- 79-048446 Rotor
  - 79-048016 Rotor lid
  - 65-90100 O-ring rotor lid (5)
  - 79-048445 Rotor handle
  - 65-90099 O-ring rotor handle (5)
  - 90-00076 Overspeed disc (5)
  - 90-00021 Tegmol lubricant
  - 90-00020 Vacuum grease
  - 95-00018 Rotor manual
  - 65-90070 Rotor stand
  - 65-90105 Carrying rod



Max. rpm	RCF			k-Factor	Tubes		Total capacity ml	Max. density g/ml	Rotor material
	r <sub>max</sub>	r <sub>avg</sub>	r <sub>min</sub>		Volume	Size			
50 000	301 000	231 600	162 100	63	12 × 38.5 ml	1 × 3 1/2" / 25 × 89 mm	462	1.2	Titanium

### Tubes

### Caps

Material	No. (pack of 50)	Cap required	recommended max. speed				Tools required		
			ml	max. filled with cap	ml	partially filled without cap <sup>2</sup>			
Polyallomer thinwall	91-90196	96-00152 <sup>1</sup> 96-00101 96-00100	34	50 000	50 000	20	—	—	1
				50 000	50 000		—	—	1; 2; 3; 5; 6
Polyallomer thickwall	91-90198	96-00102	29	50 000	50 000	20	30 000	20 000	1; 2; 3; 5; 6
				45 000	50 000		20 000	20 000	
Cellulose thinwall LT	91-90199	96-00101	34	35 000	not recommended	20	—	—	1; 2; 3; 5; 6
				35 000	not recommended		—	—	
Cellulose thinwall HT	91-90399	96-00101	34	not recommended	40 000	20	—	—	1; 2; 3; 5; 6
				not recommended	not recommended		—	—	
Cellulose thickwall	91-90250	96-00102	29	50 000	40 000	20	30 000	25 000	1; 2; 3; 5; 6
				30 000	20 000		20 000	20 000	
Cellulose threaded	91-90273	96-00130	32.5	35 000	35 000	20	30 000	25 000	1; 4
				30 000	20 000		20 000	20 000	
Polycarbonat thickwall	91-90200	96-00102	29	50 000	50 000	20	45 000	45 000	1; 2; 3; 5; 6
				50 000	50 000		40 000	40 000	
Polycarbonat threaded	91-90236	96-00130	32.5	50 000	50 000	20	45 000	45 000	1; 4
				50 000	50 000		40 000	35 000	
<sup>1</sup> selfseal							4°C/30'	25°C/30'	
<sup>2</sup> Use threaded tubes only with cap							4°C/24 h	25°C/24 h	

### Adapters

No.	Tubes per adapter	recommended max. speed
91-90051	1 × 13.5 ml	46 000
91-90053	1 × 6.5 ml	46 000
91-90055	1 × 4.4 ml	46 000
91-90066	3 × 2.0 ml	46 000
91-90067	5 × 0.4 ml	46 000
91-90057	6 × 0.3 ml	46 000

### Tools

1	92-00108	Tube removal tool
2	91-00136	Torque wrench
3	91-00137	Socket for 19 mm nuts
4	91-00286	Universal grip tool for screw caps
5	91-00410	Tube cap vise
6	91-00411	Insert 1"
7	91-00115	Adapter extractor for tubes of 2 ml and smaller
8	91-00114	Adapter extractor for tubes of 2 ml and larger

### Accessories

91-90326	Tube block rack (polypropylene)
91-00142	Piercing unit
73-00116	Tube stand for 1" o.d. tubes
91-00492	Base plate for 8 tubestands
91-90351	Side piercer for 1" o.d. tubes
91-90349	Base plate for side piercer
91-90152	Rotor cleaning set