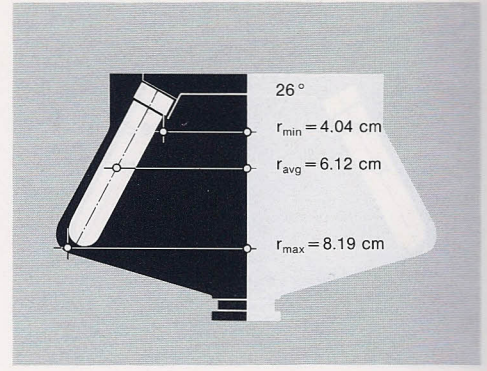


### No. 65-90030

Consists of:

- 79-047812 Rotor
- 79-047871 Rotor lid
- 65-90088 O-ring rotor lid (5)
- 79-047805 Rotor handle
- 65-90085 O-ring rotor handle (5)
- 90-00080 Overspeed disc (5)
- 90-00021 Tegmol lubricant
- 90-00020 Vacuum grease
- 95-00018 Rotor manual
- 65-90070 Rotor stand
- 65-90105 Carrying rod



Max. rpm	RCF			k-Factor	Tubes		Total capacity ml	Max. density g/ml	Rotor material
	r <sub>max</sub>	r <sub>avg</sub>	r <sub>min</sub>		Volume	Size			
65000	386600	288600	190600	42	12 × 13.5 ml	$\frac{5}{8} \times 3''$ 16 × 76 mm	162	1.2	Titanium

### Tubes

### Caps

Material	No. (pack of 50)	Cap required	recommended max. speed				Tools required		
			ml	max. filled with cap	ml	partially filled without cap <sup>2</sup>			
Polyallomer thinwall	91-90202	96-00153 <sup>1</sup> 96-00103 96-00132	11	65 000	65 000	7	—	—	1
				65 000	65 000		—	—	1; 2; 4; 5
Polyallomer thickwall	91-90203	96-00104	8.5	65 000	65 000	7	50 000	40 000	1; 2; 4; 5
				55 000	50 000		45 000	35 000	
Cellulose thinwall LT	91-90204	96-00103 96-00132	11	65 000	not recommended	7	—	—	1; 2; 4; 5
				60 000	not recommended		—	—	
Cellulose thinwall HT	91-90404	96-00103 96-00132	11	not recommended	65 000	7	—	—	1; 2; 4; 5
				not recommended	55 000		—	—	
Cellulose thickwall	91-90246	96-00104	8.5	50 000	40 000	7	40 000	40 000	1; 2; 4; 5
				40 000	35 000		40 000	35 000	
Cellulose threaded	91-90272	96-00129	9.5	40 000	40 000	7	40 000	35 000	1; 3
				35 000	35 000		35 000	30 000	
Polycarbonat thickwall	91-90205	96-00104	8.5	50 000	40 000	7	55 000	55 000	1; 2; 4; 5
				45 000	40 000		50 000	65 000	
Polycarbonat threaded	91-90235	96-00129	9.5	50 000	40 000	7	55 000	55 000	1; 3
				40 000	50 000		40 000	50 000	
<sup>1</sup> selfseal							4°C/30'	25°C/30'	
<sup>2</sup> Use threaded tubes only with cap							4°C/24 h	25°C/24 h	

### Adapters

No.	Tubes per adapter	recommended max. speed
91-90056	1 × 6.5 ml	55 000
91-90058	1 × 4.4 ml	55 000
91-90068	1 × 2.0 ml	55 000
91-90069	1 × 0.4 ml	55 000
91-90054	2 × 0.3 ml	40 000

### Tools

1	92-00108	Tube removal tool
2	40-00047	Wrench
3	91-00286	Universal grip tool for screw caps
4	91-00410	Tube cap vise
5	91-00412	Insert $\frac{5}{8}''$
6	92-00115	Adapter extractor for tubes of 2 ml and smaller
7	92-00114	Adapter extractor for tubes of 2 ml and larger

### Accessories

91-90327	Tube block rack (polypropylene)
91-00142	Piercing unit
73-00117	Tube stand for $\frac{5}{8}''$ o.d. tubes
91-00492	Base plate for 8 tubestands
91-90350	Side piercer for $\frac{5}{8}''$ o.d. tubes
91-90349	Base plate for side piercer
91-90152	Rotor cleaning set