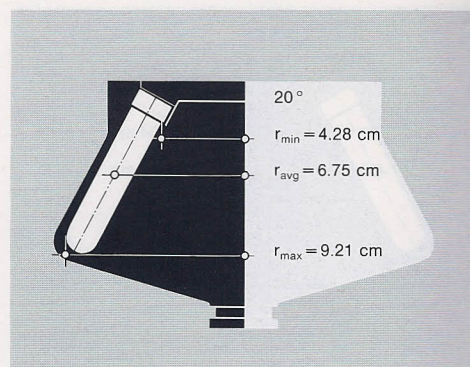


No. 65-90027

- Consists of:
- 79-049404 Rotor
 - 79-049405 Rotor lid
 - 65-90087 O-ring rotor lid (5)
 - 79-049406 Rotor handle
 - 65-90085 O-ring rotor handle (5)
 - 90-00081 Overspeed disc (5)
 - 90-00021 Tegmol lubricant
 - 90-00020 Vacuum grease
 - 95-00018 Rotor manual
 - 65-90070 Rotor stand
 - 65-90105 Carrying rod



Max. rpm	RCF			k-Factor	Tubes		Total capacity ml	Max. density g/ml	Rotor material
	r _{max}	r _{avg}	r _{min}		Volume	Size			
70000	504500	369500	234400	40	8 × 38.5 ml	1 × 3 1/2" / 25 × 89 mm	308	1.2	Titanium

Tubes

Caps

Material	No. (pack of 50)	Cap required	recommended max. speed				Tools required		
			ml	max. filled with cap	ml	partially filled without cap ⁴			
Polyallomer thinwall	91-90196	96-00152 ¹ 96-00101 ² 96-00100 ³	34	70000	70000	20	—	—	1
				70000	70000		—	—	1; 2; 3; 5; 6
Polyallomer thickwall	91-90198	96-00102	29	50000	50000	20	30000	20000	1; 2; 3; 5; 6
				45000	50000		20000	20000	
Cellulose thinwall LT	91-90199	96-00101 96-00100	34	35000	not recommended	20	—	—	1; 2; 3; 5; 6
				35000	not recommended		—	—	
Cellulose thinwall HT	91-90399	96-00101 96-00100	34	not recommended	40000	20	—	—	1; 2; 3; 5; 6
				not recommended	not recommended		—	—	
Cellulose thickwall	91-90250	96-00102	29	50000	40000	20	30000	25000	1; 2; 3; 5; 6
				30000	20000		20000	20000	
Cellulose threaded	91-90273	96-00130	32.5	35000	35000	20	30000	25000	1; 4
				30000	20000		20000	20000	
Polycarbonat thickwall	91-90200	96-00102	29	50000	60000	20	45000	45000	1; 2; 3; 5; 6
				50000	60000		40000	40000	
Polycarbonat threaded	91-90236	96-00130	32.5	50000	50000	20	45000	45000	1; 4
				50000	50000		40000	35000	
¹ selfseal		³ max. 70000					4°C/30'	25°C/30'	
² max. 65000		⁴ Use threaded tubes only with cap					4°C/24 h	25°C/24 h	

Adapters

No.	Tubes per adapter	recommended max. speed
91-90051	1 × 13.5 ml	55000
91-90053	1 × 6.5 ml	55000
91-90055	1 × 4.4 ml	55000
91-90066	3 × 2.0 ml	55000
91-90067	5 × 0.4 ml	55000
91-90057	6 × 0.3 ml	30000

Tools

1	92-00108	Tube removal tool
2	91-00136	Torque wrench
3	91-00137	Socket for 19 mm nuts
4	91-00286	Universal grip tool for screw caps
5	91-00410	Tube cap vise
6	91-00411	Insert 1"
7	91-00115	Adapter extractor for tubes of 2 ml and smaller
8	91-00114	Adapter extractor for tubes of 2 ml and larger

Accessories

91-90326	Tube block rack (polypropylene)
91-90142	Piercing unit
73-00116	Tube stand for 1" o.d. tubes
91-00492	Base plate for 8 tubestands
91-90351	Side piercer for 1" o.d. tubes
91-90349	Base plate for side piercer
91-90152	Rotor cleaning set